

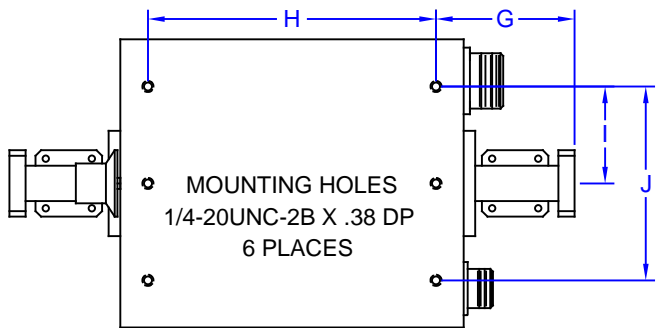
MS3106A-14S-1P CONNECTOR (J1) MOTOR DRIVE	
J1	
A	115 VAC NEUTRAL
B	115 VAC LINE
C	GROUND

POSITION INDICATOR

POSITION	INPUT A	INPUT B
1	OUTPUT C	OUTPUT D
2	OUTPUT C*	OUTPUT C*
3	OUTPUT D	OUTPUT C
4	OUTPUT D*	OUTPUT D*

* WITH TWO SIGNALS OF EQUAL FREQUENCY AND PHASE.

FREQUENCY ————— See Table 1
 VSWR ————— 1.15 MAX
 INSERTION LOSS — 0.2 dB MAX
 ISOLATION ————— 30 dB MIN INPUT A TO INPUT B
 40 dB MIN INPUT A TO OUTPUT C
 40 dB MIN INPUT A TO OUTPUT D
 40 dB MIN INPUT B TO OUTPUT C
 40 dB MIN INPUT B TO OUTPUT D



J2	
A	POS 1 CMD (-28 VDC)
B	POS 2 CMD (-28 VDC)
C	POS 3 CMD (-28 VDC)
D	POS 4 CMD (-28 VDC)
E	CMD COM (+28 VDC)
F	POS 1 IND
G	POS 2 IND
H	POS 3 IND
J	POS 4 IND
K	IND COM

POWER ————— See Table 1
 SWITCHING TIME — 100 MS MAX
 FINISH ————— FLAT BLACK
 PRESSURE ————— 15 PSIG MAX
 OPERATING TEMPERTURE — -20 to 60 DEGREES C.

THE COMBINER IS SWITCHED WHEN THE -28VDC IS APPLIED TO PINS A THRU D ON CONNECTOR J2

TABLE 1 * Consult Factory for Electrical Performance

Part Number	EIA WR DESIGNATION	Freq. (Ghz)	Flange Type (4 Places)	RF Power Handling Each Input	Mechanical Dimensions - Tolerance +/- 0.02 "										
					A	B	C	D	E	F	G	H	I	J	K
*3014-0000 G1	WR 62	17.3-18.4	WR 62 Flat	1.5 KW	12.75	1.10	1.76	6.5	3.25	4.81	3.125	6.50	2.12	4.25	6.0
*3012-0000 G1	WR 75	12.75-14.5	WR 75 Flat	1.5 KW	12.75	1.34	2.00	6.5	3.25	4.81	3.125	6.50	2.12	4.25	6.0
3001-0000 G1	WR 75	13.75-14.5	WR 75 Flat	1.5 KW	12.75	1.34	2.00	6.5	3.25	4.81	3.125	6.50	2.12	4.25	6.0
3002-0000 G1	WR 112	7.9-8.4	UG 51/U	1.5 KW	13.75	1.77	3.63	6.5	3.25	4.81	3.63	6.50	2.12	4.25	6.0
3003-0000 G1	WR 137	5.85-6.425	CPR137F	3.0 KW	17.04	2.04	4.00	6.5	3.25	4.81	4.21	8.63	2.12	4.25	6.0
3004-0000 G1	WR 159	5.85-6.425	CPR159F	3.0 KW	17.04	2.04	4.00	6.5	3.25	4.81	4.21	8.63	2.12	4.25	6.0
*3005-0000 G1	WR 137	5.85-6.650	CPR137F	3.0 KW	17.04	2.04	4.00	6.5	3.25	4.81	4.21	8.63	2.12	4.25	6.0

Microwave Components and Systems Inc
 131 Flanders Road, Westborough MA 01581

**4 POSITION 115 VAC
 POWER COMBINER**

PART NUMBER	REV
SEE TABLE 1	A

FILE: VRPC1 DATE: 11/30/99