

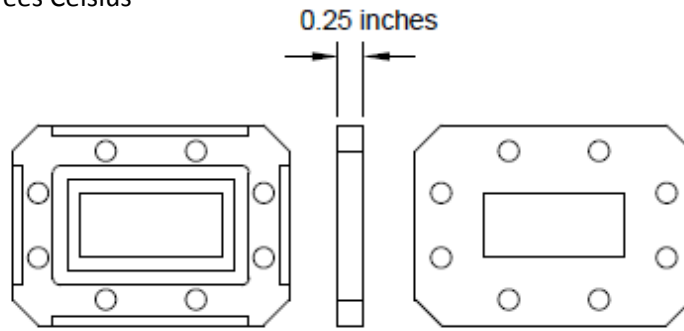


MCS

Microwave Components and Systems Inc.
131 Flanders Road, Westborough MA USA 01581
Contact- tel 508-466-8400, E-Mail: sales@mcsproducts.com

Waveguide Pressure Windows Description

- Operating Frequency 1.12-50.0 GHz
- Standard Material Brass or Aluminum
- Power Handling Per Table (Specify if other KW Handling Required)
- Temperature -40 to 60 Degrees Celsius
- Pressurization 10 PSIG
- RoHS Compliant
- VSWR 1.10:1 max



Waveguide Flanges:

1. Cover
2. Choke
3. CPRF
4. CPRG
5. CMR
6. Cover Grooved
7. CAR
8. PAR
9. UAR
10. CBR
11. PBR
12. UBR
13. UDR
14. RDR
15. PDR

Special Flange List As: FSXX

Part Number Example: 4237-112-2-1-B

Part Number	Waveguide Size WR	Flange Side "A"	Flange Side "B"	Material A=Aluminum B=Brass
4237-	112	2	1	B

Consult Factory for other versions.

WR SIZE	FREQ. (GHz)	MAX POWER (KW)	Pressure max (PSIG)
22	33.00 - 50.00	0.15	30
28	26.50 - 40.00	0.25	30
34	22.00 - 33.00	0.40	30
42	18.00 - 26.50	0.50	25
51	15.00 - 22.00	1.00	25
62	12.40 - 18.00	1.80	20
75	10.00 - 15.00	2.20	15
90	8.20 - 12.40	2.30	15
102	7.00 - 11.00	2.50	15
112	7.05 - 10.00	2.80	15
137	5.85 - 8.20	3.50	15
159	4.90 - 7.05	3.50	15
187	3.95 - 5.85	3.50	10
229	3.30 - 4.90	3.50	10
284	2.60 - 3.95	2.00	10
340	2.10 - 3.00	2.00	5
430	1.70 - 2.60	2.00	5
510	1.45 - 2.20	2.00	5
650	1.12 - 1.17	2.00	5